

Flush Mount Ceiling Kit

VDA-NWDFMT | VDA-NWDSKT



BOSCH

en Mounting Guide

Table of Contents

1	Unpacking	1
1.1	Parts List	1
1.2	Safety Rules	3
2	Installing the Recessed Camera Mount	4
2.1	Installing the VDA-NWDSKT Bracket	5
2.2	Mounting the FlexiDome IP Camera	6
2.3	Mounting the AutoDome Analog/IP Camera	12

1 Unpacking

Unpack this equipment and handle with care. If an item appears to have been damaged in shipment, notify the shipper immediately. Verify that all the parts listed in the section below are included. If any items are missing, notify your Bosch Security Systems Sales or Customer Service Representative. The original packing carton is the safest container in which to transport the unit and must be used if returning the unit for service. Save it for possible future use.

1.1 Parts List

The VDA-NWDFMT Flush Mount Ceiling kit contains these parts:

Quantity	Description
1	Recess Bracket with Backplate
1	Recess Trim Ring, with
3	– #8-32 x 5/8 in. Self-tapping Screws
1	Ceiling Tile Template (part of packaging)
1	Hardware Kit
3	– #10-24 x 3/4 in. Phillips Head Screws (for mounting a Bosch FlexiDome IP)
3	– M2.5 x 8 mm Phillips Head Screws (for mounting a Bosch AutoDome Easy)
Optional Equipment (not supplied with VDA-NWDFMT)	
1	VDA-NWDSKT Support Kit for VDA-NWDFMT
2	– Metal Support Panels
4	– Phillips Head Screws
Additional Tools (user-supplied)	
	Phillips Head Screwdriver

The illustration below shows a typical installation:

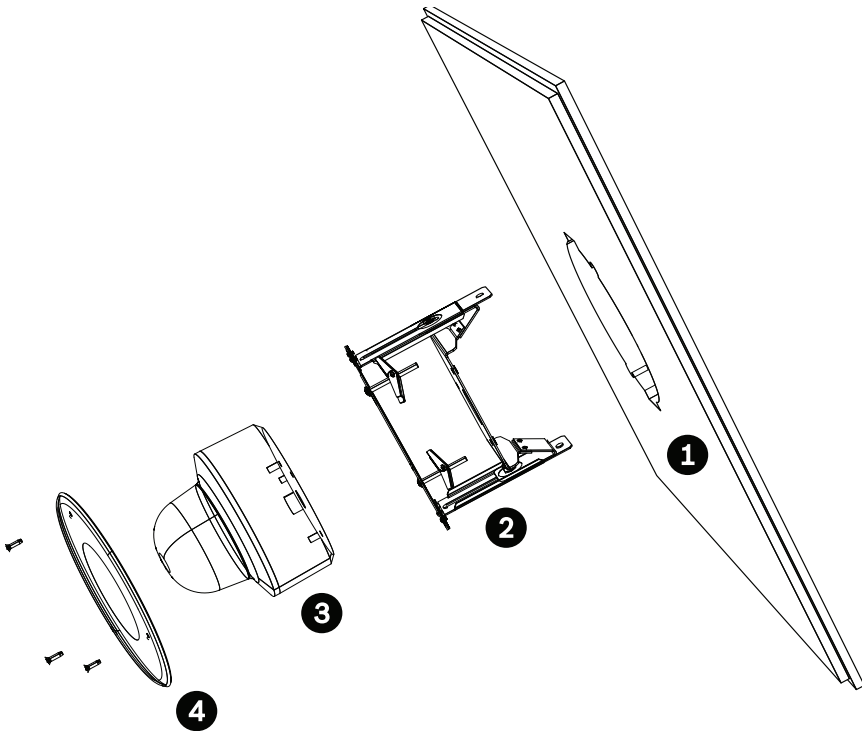


Figure 1.1 Typical VDA-NWDFMT installation

1	Drywall ceiling or ceiling tile, 6–23 mm (.24–.91 in.) thick
2	Recess bracket with backplate
3	FlexiDome IP or AutoDome Easy Analog/IP camera
4	Recess trim ring

1.2 Safety Rules

To ensure safety, the following warnings are specified:

- The device must be installed and maintained by skilled technical personnel.
- Connect the device to a power source corresponding to the indications given on the marking label.
- Use only the attachments/accessories specified by the manufacturer.
- Do not use the device near water.
- Do not use the device in the presence of flammable substances.
- Do not allow children or unauthorized personnel to use the device.
- Do not block any ventilation openings.
- Refer to the FlexiDome IP *Operating Instructions* Manual or to the AutoDome Easy *Installation Manual* for safety and wiring information.
- Keep this manual for future reference.

NOTICE!



This user guide has been compiled with great care and the information it contains has been thoroughly verified. The text was complete and correct at the time of printing. The ongoing development of the products may mean that the content of the user guide can change without notice. Bosch Security Systems accepts no liability for damage resulting directly or indirectly from faults, incompleteness or discrepancies between the user guide and the product described.

2 Installing the Recessed Camera Mount

Use this mount to install a FlexiDome IP (NWD-4xx) camera or an AutoDome Easy Analog or IP (VEZ series) camera. The VDA-NWDFMT can be secured to a ceiling tile or to a drywall ceiling. The ceiling must be between 6–23 mm (.24–.91 in.) thick and be able to support the combined weight of the camera and the Flush Mount Ceiling kit.

Note: The table below shows the combined weight of the VDA-NWDFMT and the following cameras:

Item	Weight	Combined Weight
VDA-NWDFMT	.44 kg (lb)	
FlexiDome IP	1.8 kg (3.96 lb)	2.24 kg (4.93 lb)
AutoDome Easy, IP and Analog	1.3 kg (2.86 lb)	1.74 kg (3.83 lb)

Table 2.1 Combined weights for bracket and cameras



WARNING! Ensure that the ceiling can support the combined weight of the camera and the Flush Mount Ceiling kit. If the ceiling is not strong enough, use the VDA-NWDSKT support kit. Refer to the next section for instructions to install the VDA-NWDSKT support kit.

2.1 Installing the VDA-NWDSKT Bracket

The VDA-NWDSKT is a support bracket for the VDA-NWDFMT Flush Mount Ceiling kit. Use this bracket to add support to a ceiling tile.

Note: The weight of the VDA-NWDSKT is 1.12 kg (2.46 lb).

1. Remove the ceiling tile.
2. Determine the proper width of the VDA-NWDSKT so that the side tabs rest against the ceiling T-rails.
3. Align the two panels of the VDA-NWDSKT to the proper width and secure with the four Phillips head screws (supplied).

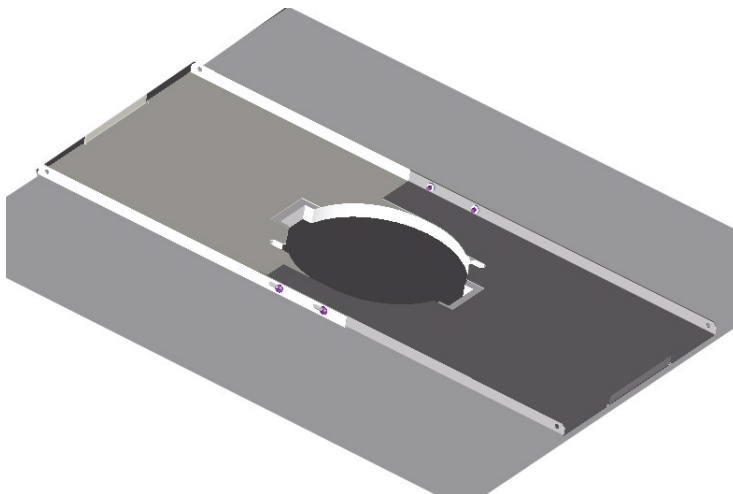


Figure 2.1 VDA-NWDSKT Support Kit

4. Use the VDA-NWDSKT as a template to mark the top of the ceiling tile; then cut the tile along the template mark.
5. Replace the ceiling tile and place the VDA-NWDSKT on top of the tile.

2.2 Mounting the FlexiDome IP Camera

Use the following image as a reference for the following procedure:

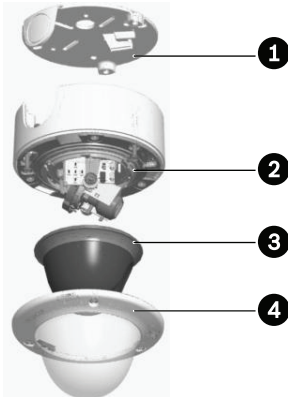


Figure 2.2 FlexiDome IP components

1	Mounting plate
2	Camera module/base
3	Inner liner
4	Trim ring and dome

1. Determine a secure location for the flush mount ceiling kit. Refer to *Table 2.1, Page 4*, for weight information.
2. If the ceiling tile is too thin or if it requires extra support, refer to *Section 2.1 Installing the VDA-NWDSKT Bracket, Page 5*.



WARNING! The ceiling tile or the drywall must be between 6–23 mm (.24–.91 in.) thick.

3. Remove the Recessed Bracket and the template from the VDA-NWDFMT packaging.
4. Mark the ceiling along the perimeter of the template; then cut the ceiling along the template mark.

5. Loosen the three tamper-resistant screws in the FlexiDome IP Trim Ring (the screws remain in place) using a T20 pin-in Torx driver. Remove the Trim Ring with Dome (Figure 2.2, item 4) by pulling it off of the base.
6. Remove the Inner Liner (Figure 2.2, item 3) by removing it from the Camera Module/Base.
7. Loosen the three Phillips head screws that secure the Camera Module/Base (Figure 2.2, item 2) to the Mounting Plate (Figure 2.2, item 1). Do not remove the hex-head screws.
8. Detach the safety tether. Set the Mounting Plate aside.
9. Remove the three screws securing the Recess Trim Ring to the Recess Bracket. Set the screws and the Recess Trim Ring aside.
10. Align the holes in the Recess Bracket and the Mounting Plate. Attach the Mounting Plate to the Recess Bracket, (item 5, below) using the three #10 Flat Washers and the three #10-24x1/2 in. Phillips Head Screws.

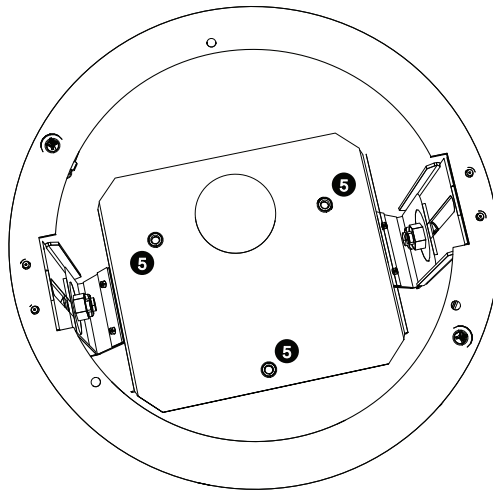


Figure 2.3 Attach mounting plate to backplate

11. Back the toggle bolts off the support screws until they are close to the end of the threads.
12. Run the power and the network cable (from the ceiling) through the slot in the Recess Bracket.

- Slide the Mounting Plate/Bracket assembly into the cutout in the ceiling tile. You may have to push the support screws from below to engage the toggle bolts.

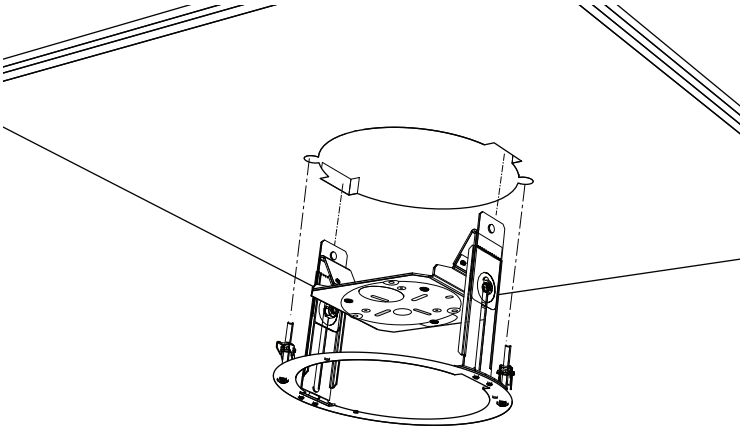


Figure 2.4 Insert recess bracket into ceiling

- Tighten the support screws (item 6, below) until the toggle bolts grasp the ceiling tile. Do not overtighten the support screws; it may cause the ceiling tile to break.

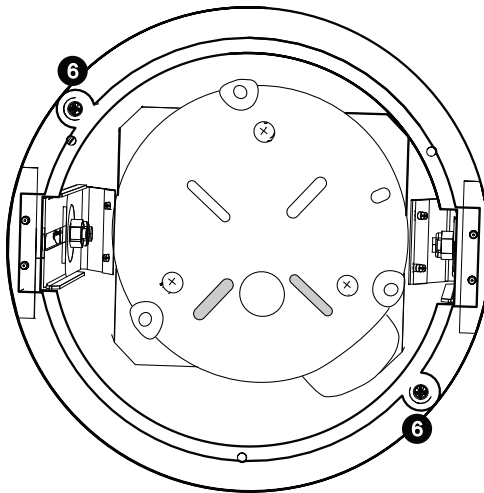


Figure 2.5 Tighten toggle bolts

15. Attach a suspension wire to the top of the recess bracket at one of the points indicated below and then to a structural element in the ceiling.



WARNING! You must secure the bracket to a structural ceiling element with a suspension wire to avoid personal injury and damage to the camera.

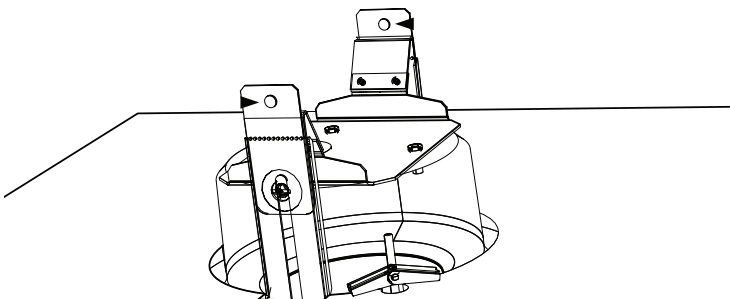


Figure 2.6 Attach suspension wire

16. Connect the cables to the connection box, located inside the Camera Module. Refer to the *FlexiDome IP Operating Instructions* for detailed safety instructions and connection details.
17. Move the excess cabling up into the ceiling.

18. Attach one end of the safety tether to the hook on the Mounting Plate and the other end to the hook on the Camera Module/Base.

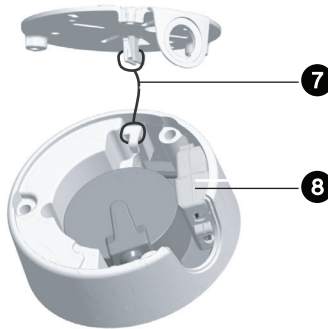


Figure 2.7 Attach safety tether

7	Safety tether
8	Camera Module/Base

19. Reattach the Camera Module/Base to the Mounting Plate.
20. Push against the underside of the FlexiDome to push the unit and the bracket up into the ceiling.
21. Adjust the focus of the camera to your desired view. Refer to the FlexiDome IP *Operation Manual* for focusing instructions.
22. Attach the FlexiDome inner liner to the Camera Module/Base. Then, place the FlexiDome Trim Ring and Dome over the Camera Module and tighten the three tamper-resistant screws.

23. Attach the Recess Trim Ring with the three #8-32 x 5/8 in. self-tapping screws.

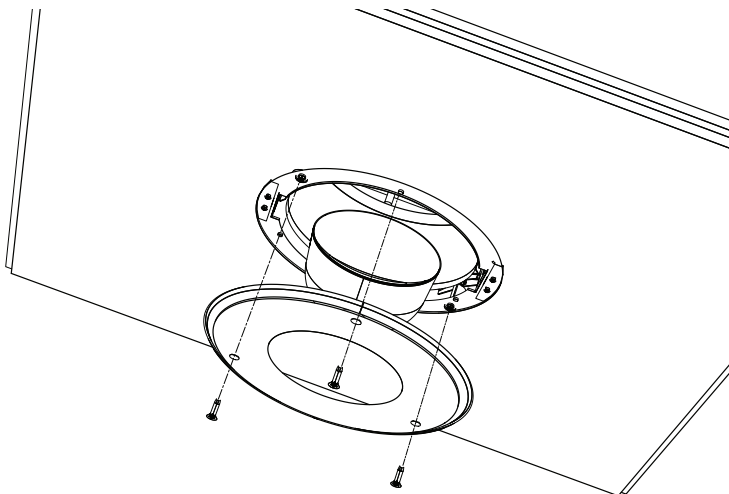


Figure 2.8 Attach recess trim ring

2.3 Mounting the AutoDome Analog/IP Camera

1. Determine a secure location for the flush mount ceiling kit. Refer to *Table 2.1, Page 4*, for weight information.
2. If the ceiling tile is too thin or if it requires extra support, refer to *Section 2.1 Installing the VDA-NWDSKT Bracket, Page 5*.



WARNING! The ceiling tile or the drywall must be between 6–23 mm (.24–.91 in.) thick.

3. Remove the Recessed Bracket and the template from the VDA-NWDFMT packaging.
4. Mark the ceiling tile along the perimeter of the template; then cut the ceiling tile along the template mark.
5. Remove the three screws securing the brass rings from the underside of the AutoDome Easy camera (item 1, below). You will not need the screws or the brass rings for this installation, but retain these items for future applications.

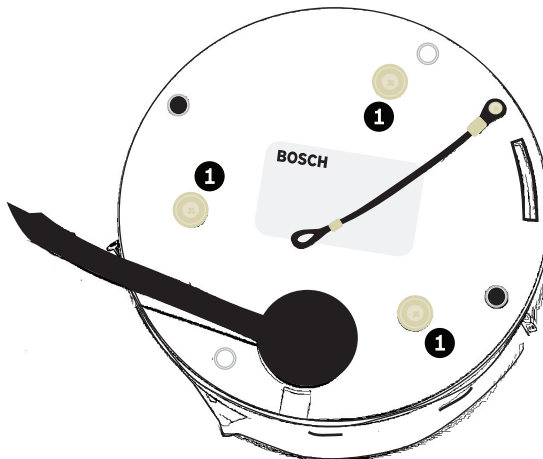


Figure 2.9 Remove brass rings from AutoDome Easy

6. Route the wires from the AutoDome Easy through the slot in the Recess bracket.
7. Align the three holes on the top of the AutoDome Easy with the three small holes on the Recess Bracket (item 2, below).

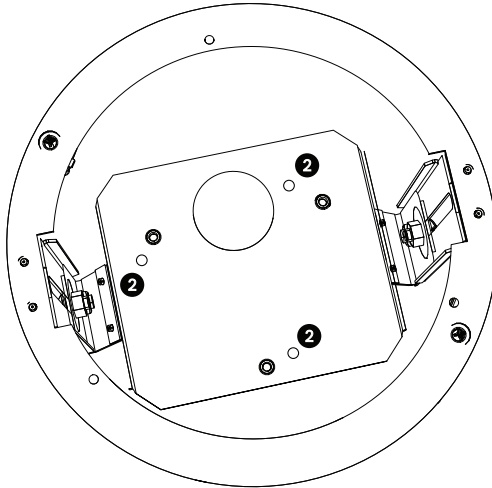


Figure 2.10 Attach AutoDome Easy to backplate

8. Secure the AutoDome Easy to the Recessed Bracket using the three M2.5 x 8 mm Phillips Head screws.
9. Remove the three screws securing the Recess Trim Ring to the Recess Bracket. Set the screws and the Recess Trim Ring aside.
10. Back the toggle bolts off the support screws until they are close to the end of the threads.
11. Connect the power and video cables to the AutoDome Easy. Refer to the *AutoDome Operating Instructions* for detailed safety instructions and connection details.

- Slide the AutoDome Easy Bracket assembly into the cutout in the ceiling tile. You may have to push the support screws from below to engage the toggle bolts.

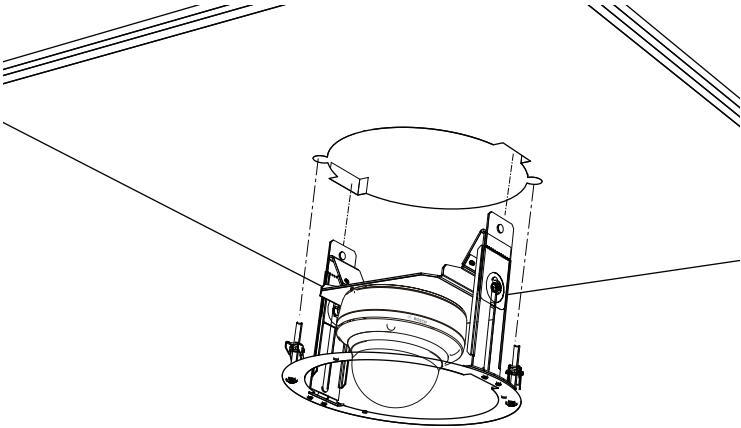


Figure 2.11 Insert recess bracket/camera assembly into ceiling

- Tighten the support screws (item 3, below) until the toggle bolts grasp the ceiling. Do not overtighten the support screws; it may cause the ceiling tile to break.

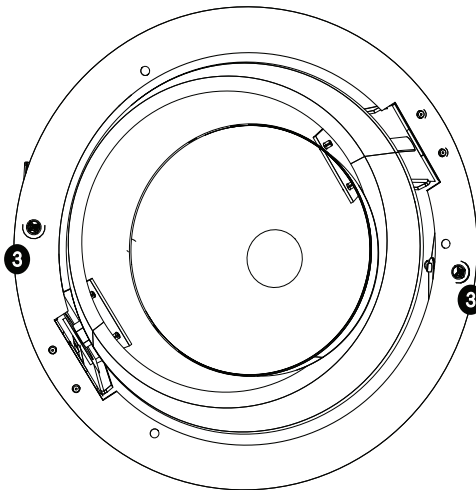


Figure 2.12 Tighten toggle bolts

14. Attach a suspension wire to the top of the recess bracket at one of the points indicated below and then to a structural element in the ceiling.



WARNING! You must secure the bracket to a structural ceiling element with a suspension wire to avoid personal injury and damage to the camera.

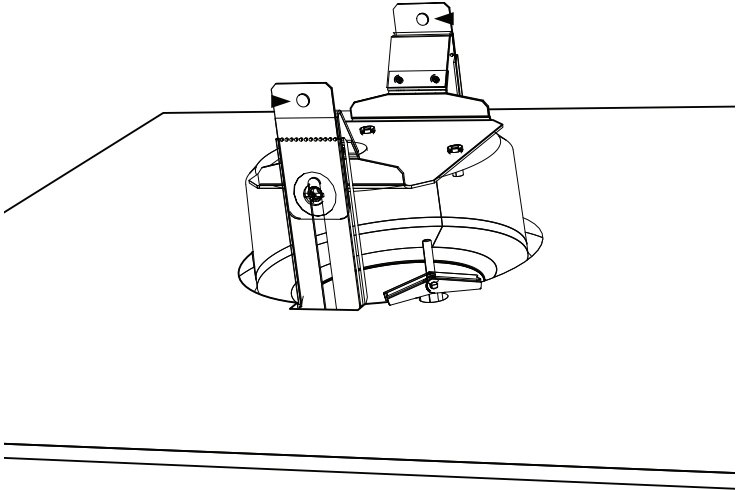


Figure 2.13 Attach suspension wire

15. Push against the underside of the AutoDome Easy to push the unit and the bracket up into the ceiling.

16. Attach the Recess Trim Ring with the three #8-32 x 5/8 in. self-tapping screws.

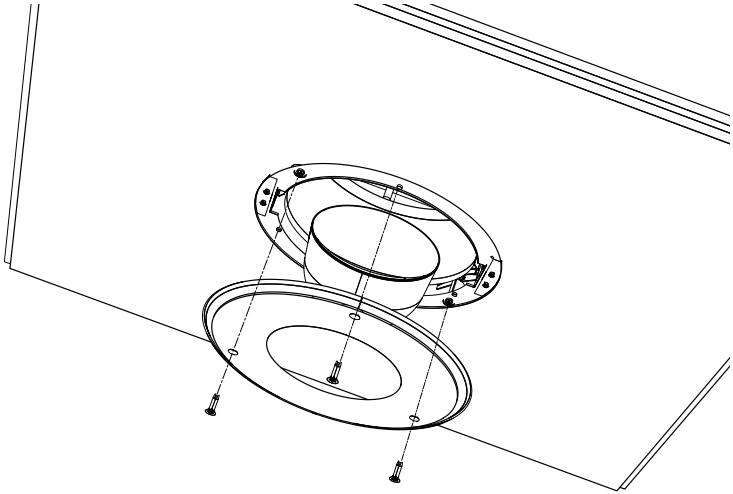


Figure 2.14 Attach recess trim ring

Bosch Security Systems, Inc.

850 Greenfield Road

Lancaster, PA 17601

USA

Telephone +1 800 289 0096

Fax +1 585 223 9180

www.boschsecurity.com

© 2009 Bosch Security Systems, Inc.; F.01U.126.944 | 1.0 | 2009.04;

Data subject to change.